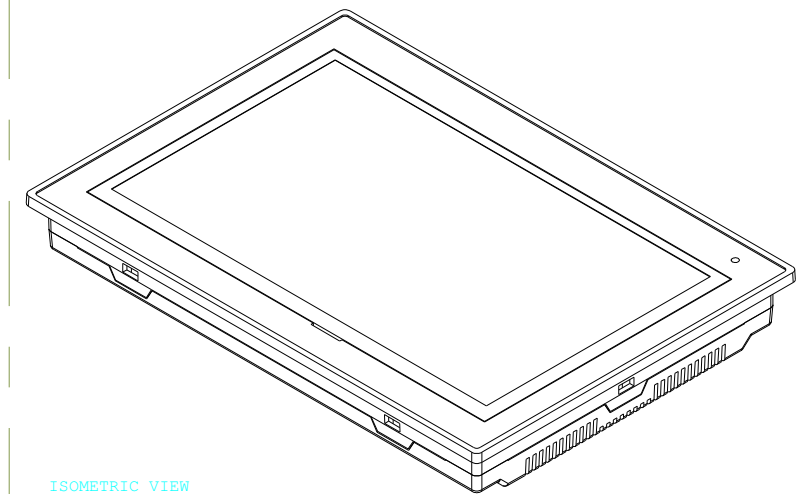
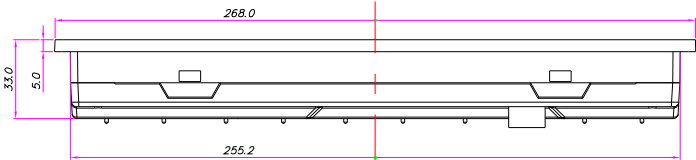


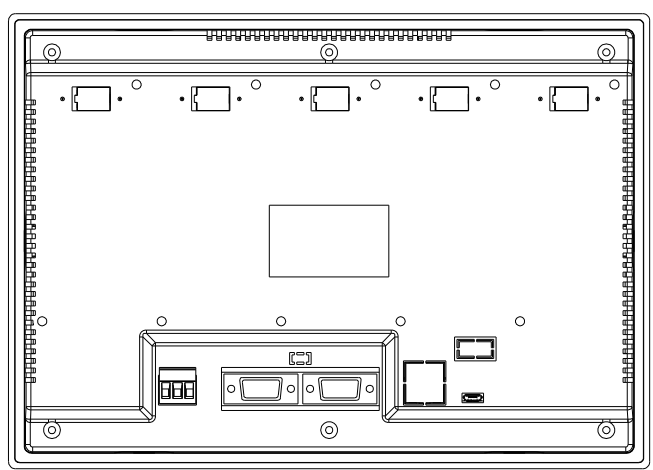
PANEL CUT-OUT DIMENSIONS



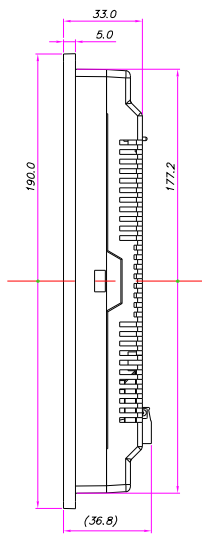
ISOMETRIC VIEW



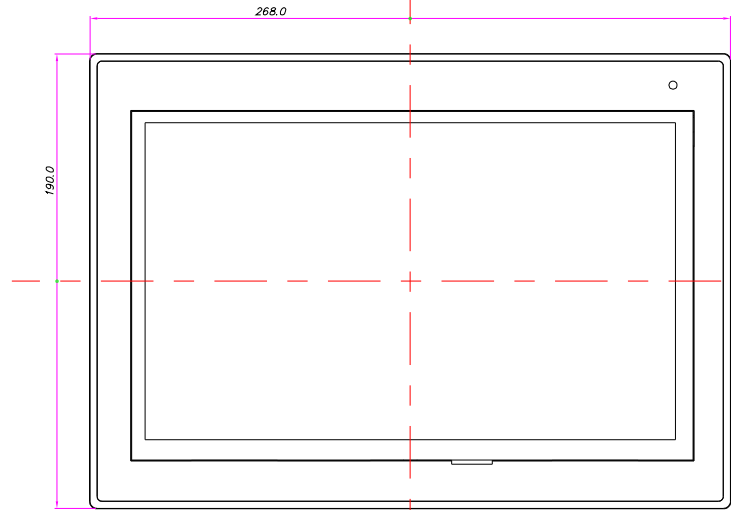
FRONT VIEW



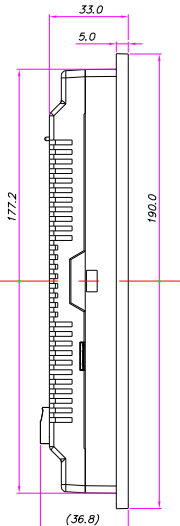
BOTTOM VIEW



RIGHT SIDE VIEW



TOP VIEW



LEFT SIDE VIEW

Renu Electronics Pvt. Ltd. Survey No: # 2/6 Near Baner Telephone Exchange Baner Pune - 411 045. St. +91-20-2729 2840 Fax: +91-20-2729 2839 Website: renelectronics.com	Product Name: FP2102 & FP4101	Document No: Material	Prepared By: Mohan Ellink	*ORIGINAL* If stamped in blue ALL DIMENSIONS ARE IN MM TOLERANCE UNLESS OTHERWISE STATED REFER GEN. TOL. PROJ. FORG AT
	Part Number: Date: 22-02-2019	Material: Scale: 1:1 Page: 1-1	Approved By: Sanjosh Shinde	
DO NOT SCALE THE DRAWING			GEN. TOL: 10 ±0.5 10.0 ±0.1 10.00 ±0.02	