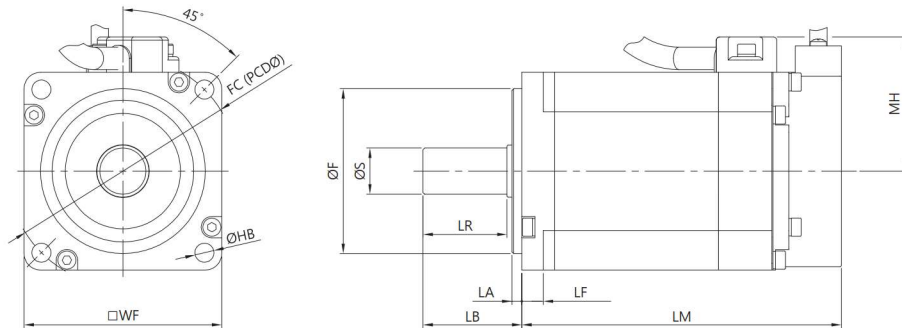


Dimensions

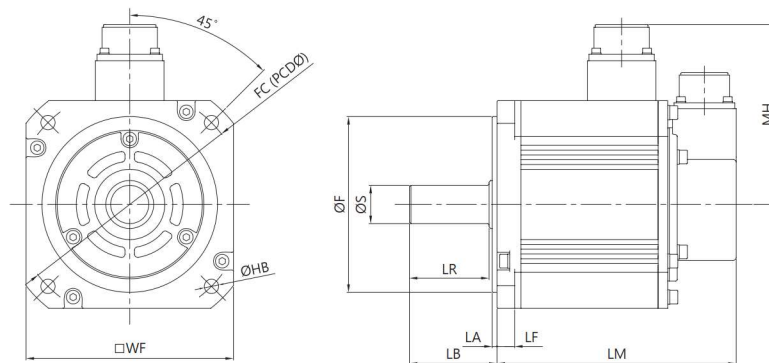
Small Capacity, Low Inertia SMP-L□□□30



Model	Variable dimensions (mm)										
	WF	ϕS	ϕF	LA	LB	LF	LR	MH	LM*	FC	HB
SMP-L005	40	$\phi 8^{0}_{-0.009}$	$\phi 30^{0}_{-0.03}$	2.5	25.5	5.5	21.5	31	64.5 (99.2)	46	2- $\phi 4.5$
SMP-L010									80.0 (114.7)		
SMP-L020	60	$\phi 14^{0}_{-0.011}$	$\phi 50^{0}_{-0.03}$	3	30	6.5	25	41	77.0 (112)	70	4- $\phi 5.8$
SMP-L040									97.0 (132)		
SMP-L075	80	$\phi 19^{0}_{-0.013}$	$\phi 70^{0}_{-0.03}$	3	40.7	7.5	35.5	51	102.0 (141)	90	4- $\phi 6.6$

*() Dimensions in brackets are for the models with electromagnetic brake.

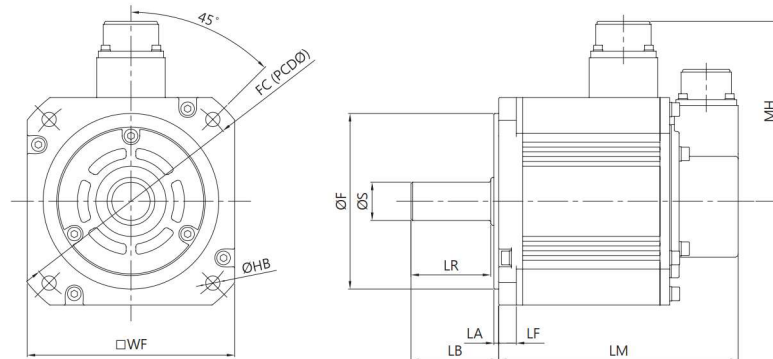
Medium Capacity, Medium Inertia SMP-L□□□20



Model	Variable dimensions (mm)										
	WF	ϕS	ϕF	LA	LB	LF	LR	MH	LM*	FC	HB
SMP-L100	130	$\phi 24^{0}_{-0.013}$	$\phi 110^{0}_{-0.035}$	3	55	11	50	113	127 (161)	145	4- $\phi 9.0$
SMP-L150									141.5 (175.5)		
SMP-L200									156 (190)		
SMP-L300									185 (219)		

*() Dimensions in brackets are for the models with electromagnetic brake.

Medium Capacity, Medium Inertia SMP-M□□□20

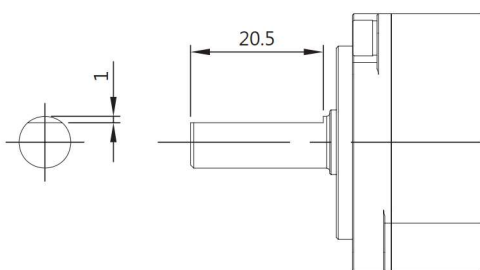


Model	Variable dimensions (mm)										
	WF	ϕS	ϕF	LA	LB	LF	LR	MH	LM*	FC	HB
SMP-M100	130	$\phi 24 \begin{smallmatrix} 0 \\ -0.013 \end{smallmatrix}$	$\phi 110 \begin{smallmatrix} 0 \\ -0.035 \end{smallmatrix}$	3	55	11	50	113	127 (161)	145	4- $\phi 9.0$
SMP-M150									141.5 (175.5)		
SMP-M200	176	$\phi 35 \begin{smallmatrix} 0 \\ -0.016 \end{smallmatrix}$	$\phi 114.3 \begin{smallmatrix} 0 \\ -0.025 \end{smallmatrix}$	3	78	18.5	74	139	139 (189)	200	4- $\phi 13.5$
SMP-M300									169 (219)		

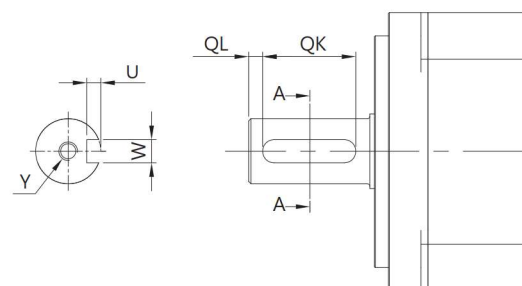
*() Dimensions in brackets are for the models with electromagnetic brake.

Motor Shaft Dimensions

D-cut for L005 / L010



Key-way



Model	Variable dimensions (mm)				
	QL	QK	W	U	Y
L020 / L040	3	20	$5 \begin{smallmatrix} 0 \\ -0.03 \end{smallmatrix}$	3	M4 x Depth 15
L075	5	25	$6 \begin{smallmatrix} 0 \\ -0.03 \end{smallmatrix}$	3.5	M5 x Depth 20
L100 / L150 / L200 / L300 M100 / M150	5	35	$8 \begin{smallmatrix} 0 \\ -0.036 \end{smallmatrix}$	4	M8 x Depth 20
M200 / M300	5	55	$10 \begin{smallmatrix} 0 \\ -0.036 \end{smallmatrix}$	5	M8 x Depth 20